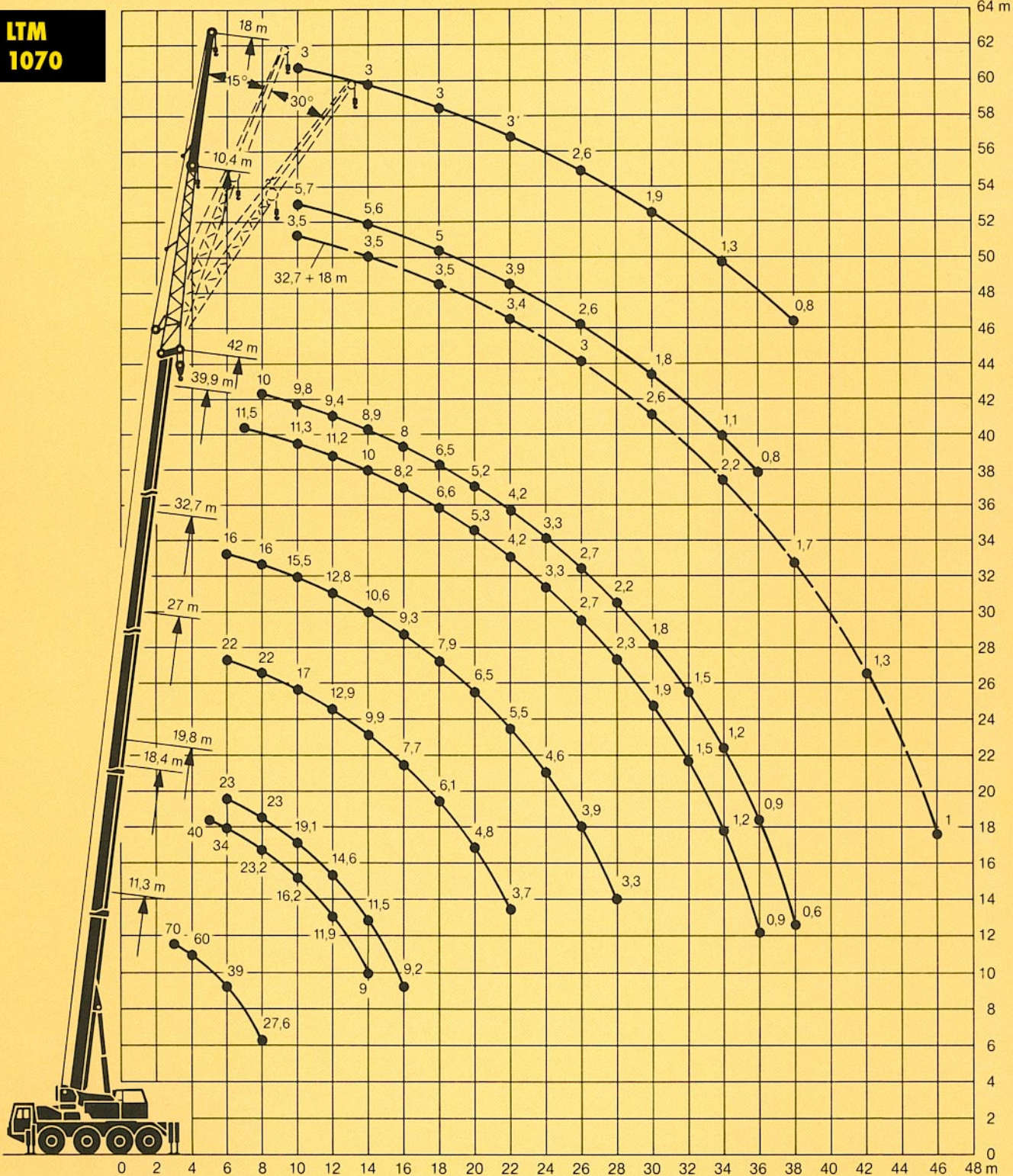
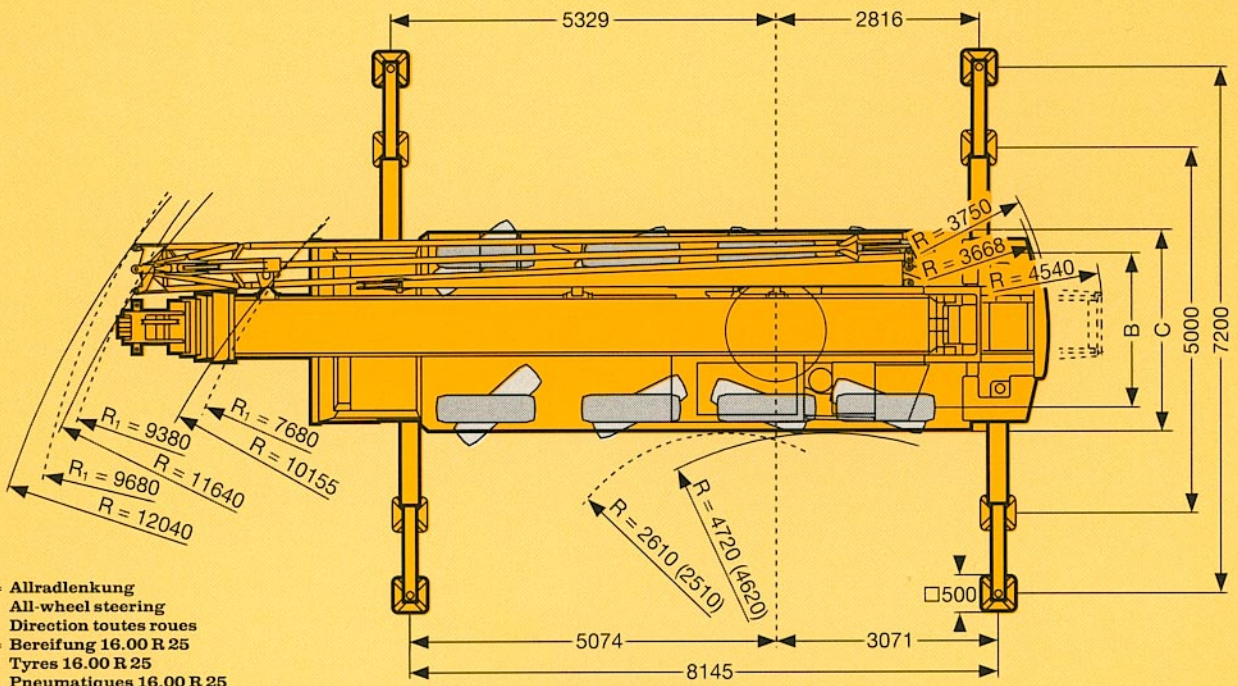
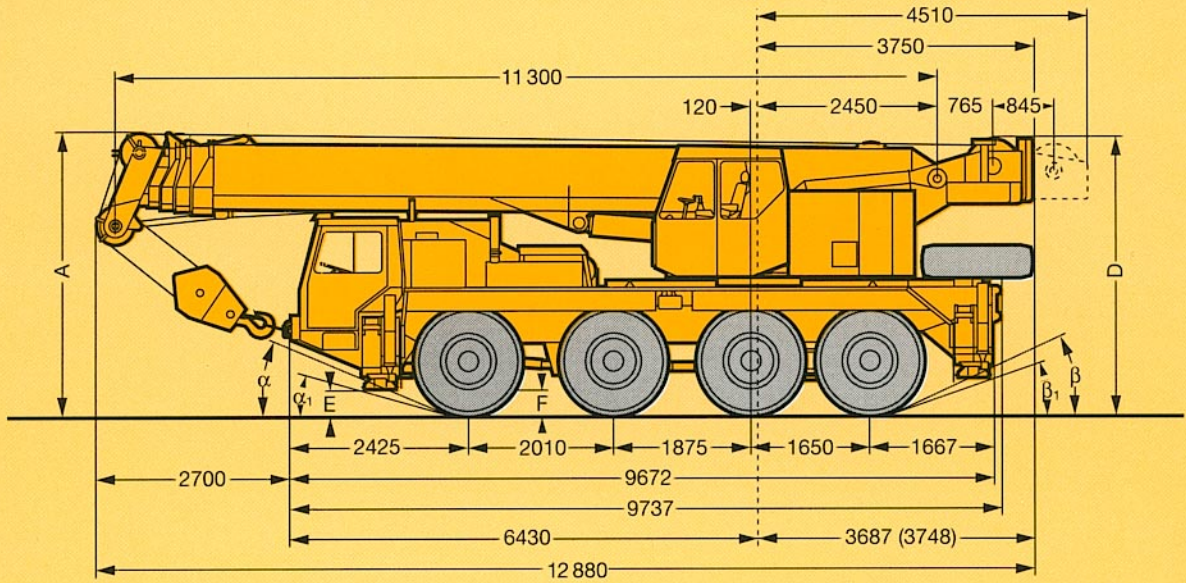


**LTM
1070**





R₁ = Allradlenkung
All-wheel steering
Direction toutes roues
() = Bereifung 16.00 R 25
Tyres 16.00 R 25
Pneumatiques 16.00 R 25



Maße / Dimensions / Encombrement mm

| | A | A 100 mm* | B | C | D | E | F | α | α ₁ | β | β ₁ |
|------------|------|--------------|------|------|------|-----|-----|-----|----------------|-----|----------------|
| 14.00 R 25 | 3850 | 3750 | 2117 | 2500 | 3660 | 280 | 410 | 20° | 13° | 22° | 17° |
| 16.00 R 25 | 3900 | 3800 | 2267 | 2700 | 3710 | 330 | 460 | 23° | 16° | 25° | 19° |

* abgelenkt / lowered / abaissé