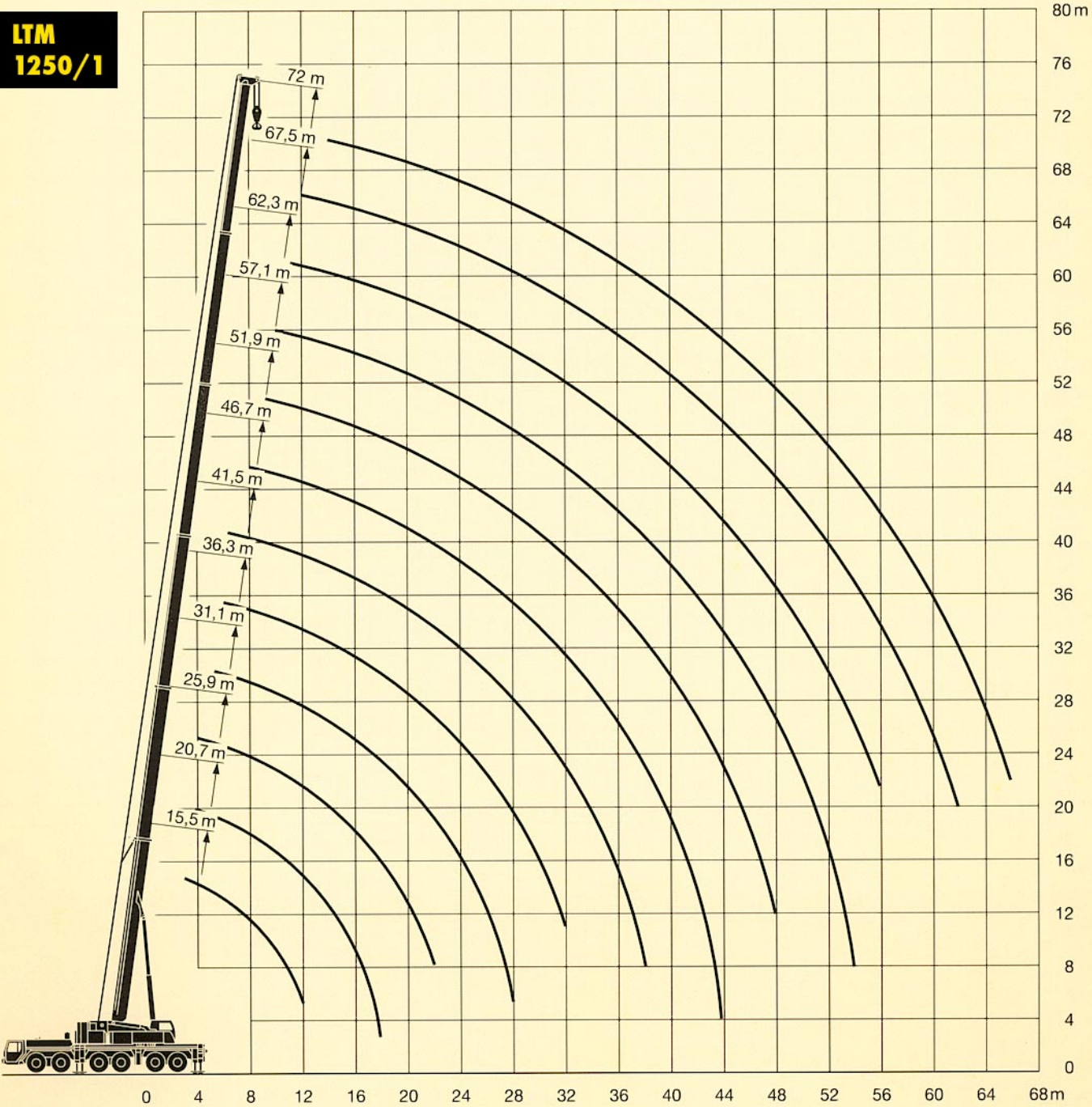
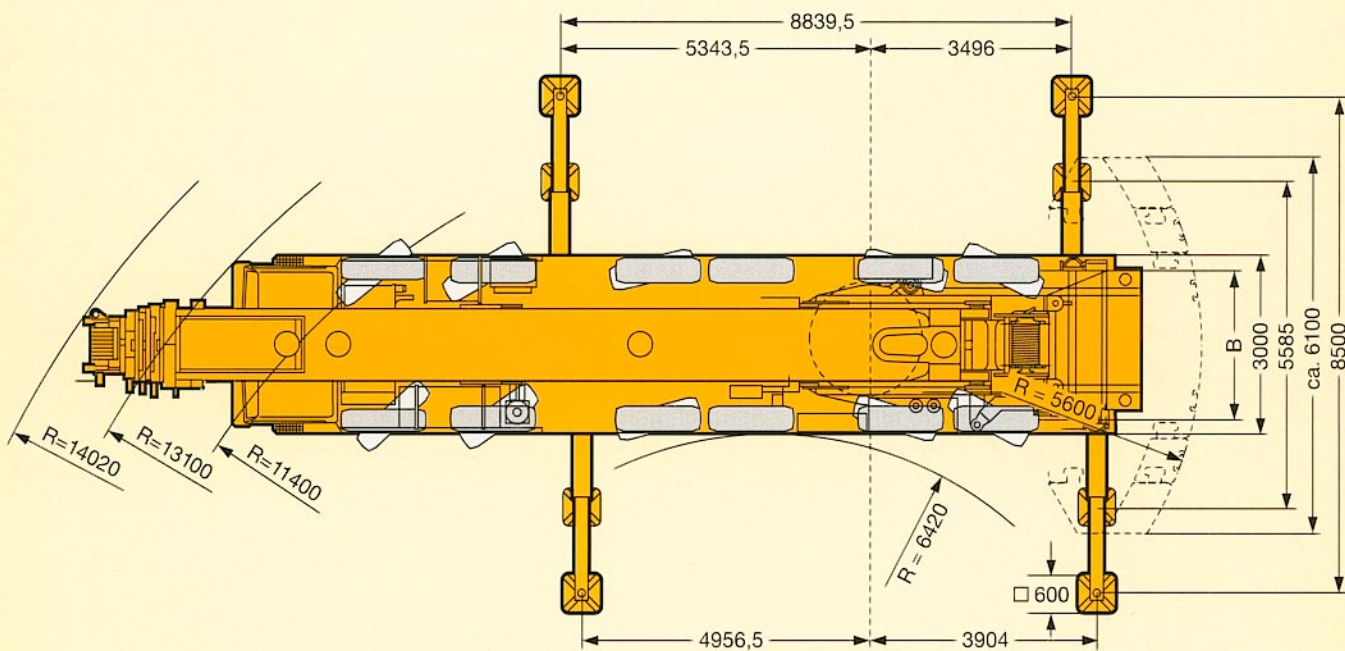
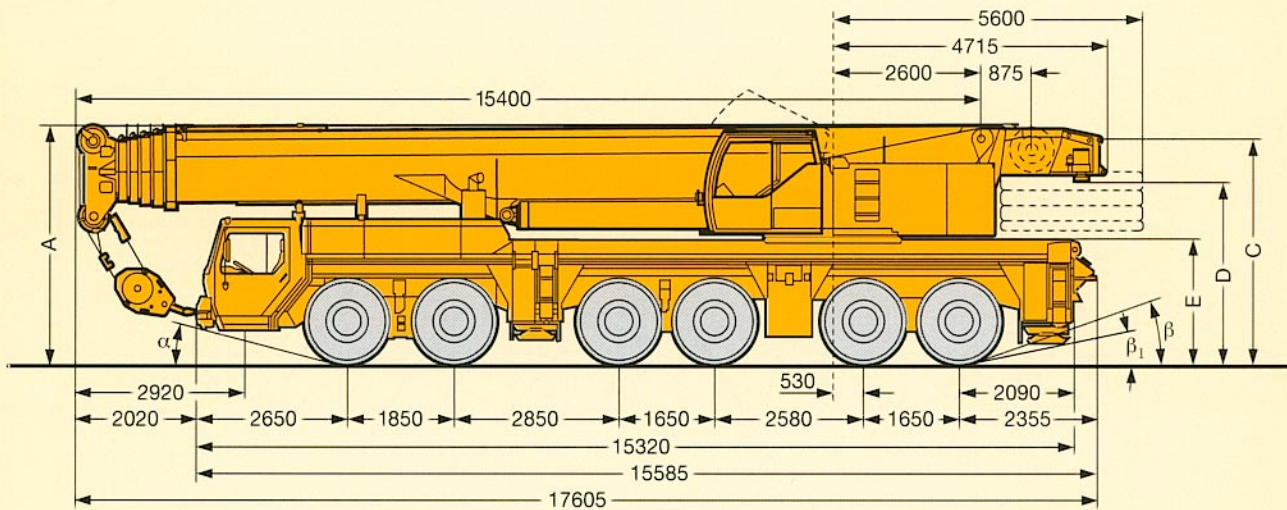


**LTM  
1250/1**





14.00 R 25

16.00 R 25

A

A

150 mm\*

B

C

Maße / Dimensions / Encombrement mm

D

E

F

G

$\alpha$

$\beta$

$\beta_1$

3950

3800

2612

3705

2996

2015

330

400

15°

17°

11°

4000

3850

2552

3755

3046

2065

380

450

17°

19°

13°